

High Quality Products for the Steel Industry

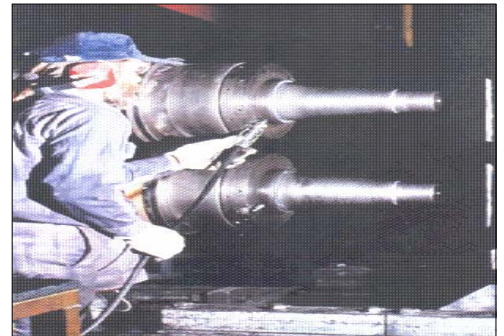
The HydraSure Tensioning System Provides Ultimate Operating Ease for Arbor Clamping Operations

HydraSure Nuts are the modern, safe and efficient way to precise tool clamping. HydraSure Nuts replace conventional torque-loaded threaded nuts to make shaft tensioning a simple, efficient and safe hydraulically assisted operation.



Slitter Installation

They are manufactured in a wide range of sizes and materials to suit applications throughout many industries. 'AR' Model HydraSure Nuts are made in a standard range to suit thread sizes from 50mm to 300mm and other sizes by request.

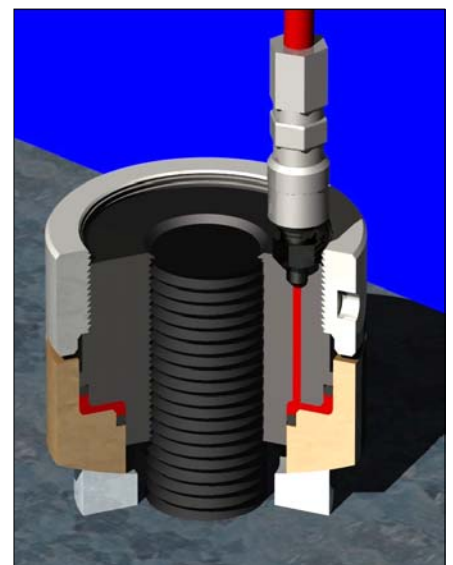


Easy to install

How do they work?

The HydraSure is screwed onto the shaft. The quick connect coupling allows pressure to be supplied by a hydraulic pump. A calculated hydraulic force applied to a known piston area results in a precise load being applied to the shaft. The shaft is "stretched" and the locking is then wound down to retain the load.

The hydraulic pressure is released and the hose is disconnected. HydraSure takes only minutes to tension any size of bolt.



$$\text{PRESSURE X AREA} = \text{LOAD}$$



technofast
precision engineered solutions

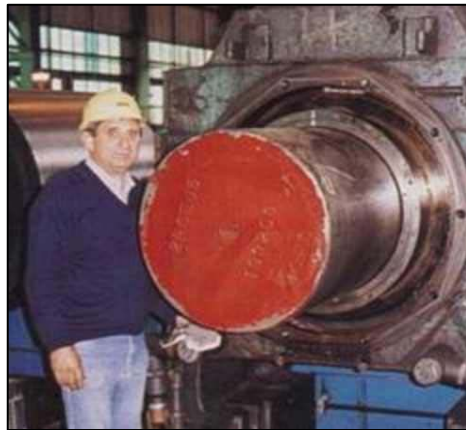
Technofast Industries
667 Boundary Road,
Richlands 4077
Brisbane Australia

Tel: +61 7 33751431
Fax: +61 7 33759094
sales@technofast.com
www.technofast.com

High Quality Products for the Steel Industry



technofast
precision engineered solutions



24" HydraSure on flat product finishing line



HydraSure with sacrificial ring



HydraSure with sacrificial ring



Typical application on mills stands
Left and right hand threads

Shaft Manufacturing



In addition, Technofast offer a specialist shaft manufacturing service to heavy industry. Typical uses include pipe rolling mills, crusher components and driveline equipment.

All shafts are produced in our Brisbane manufacturing facility which is ISO 9001 : 2000 Certified.

Technofast offer engineering and design support for any application. Technofast utilize computer-based manufacturing and engineering analysis.

Technofast Industries
667 Boundary Road,
Richlands 4077
Brisbane Australia

Tel:+61 7 33751431
Fax:+61 7 33759094
sales@technofast.com
www.technofast.com