

HydraBolt

HydraBolt



HydraBolts are used to minimise the time required to carry out critical bolting procedures. They are extremely resistant to vibration and shock loads.

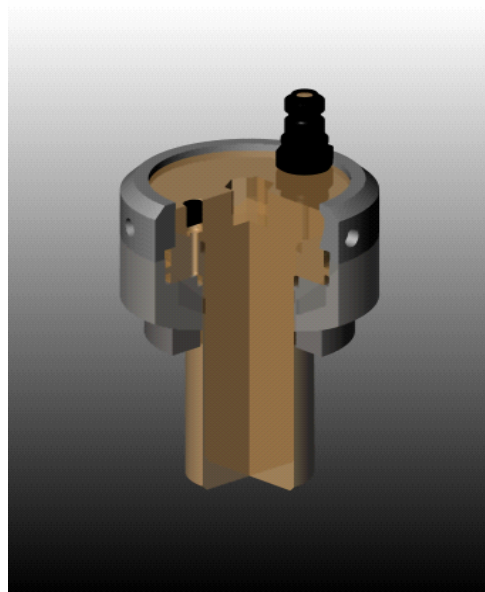
As the pressure is applied over a known hydraulic area, the load is accurately and evenly exerted on to the bolt, ensuring joint integrity.

The HydraBolt simply stretches the bolt under hydraulic load. The locking is then screwed home to take up the elongation in the bolt. This guarantees no galling of threads, no torsional stresses and ease of future removal, as the locking is unscrewed without friction.

Applications

HydraBolts are designed for many applications eg: where vibration or restrictive spaces can be a problem, a few examples of applications are:

- Vibrating Screens
- Flanges
- Reactors
- Autoclaves



Features

- Standard Range—20mm (7/8") to 100mm (4") bolt diameter.
- Patented Lockring thread technology ensures maximum retained load.
- Spherical seat gives alignment to joint face.
- Variety of seal designs for temperature / pressure requirements.
- Quick connect fittings.
- Stroke Indicator.



technofast
.....
precision engineered solutions

Technofast Industries
667 Boundary Road
Richlands 4077
Brisbane, Australia

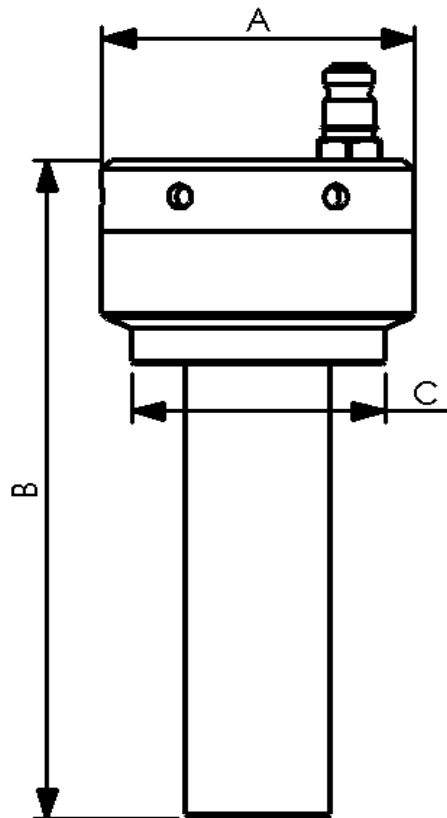
Tel:+61 7 33751431
Fax:+61 7 33759094
sales@technofast.com
www.technofast.com

HydraBolt

These dimensions are to be used as a guide only, if our standard product does not fit within your restrictions please contact our office and one of our technical staff will design a solution for your tensioning requirements.

Example: Standard HydraBolts

Model #	Max Size Thread	Outside Diameter (A)	Height (B)	Base Diameter (C)	Stroke mm	H.P.A. mm ²	Max Force kN
SB110FS	1-5/8"	96	176	78	5	4430	443
SB112FS	1-3/4"	96	176	78	5	4210	421
SB114FS	1-7/8"	96	176	78	5	3990	399
SB110FL	1-5/8"	96	221	78	5	4430	443
SB112FL	1-3/4"	96	221	78	5	4210	421
SB114FL	1-7/8"	96	221	78	5	3990	399



All standard HydraBolts fitted with CEJN type male snap fittings, 1/8" BSP porting and bleed plugs

- HydraBolts supplied with spherical washers as standard.
- HydraBolts may be supplied with a Nut & flat washer
- Maximum pressure of standard HydraBolts is 100 Mpa

Agent Contact Details



technofast
precision engineered solutions

Technofast Industries
667 Boundary Road
Richlands 4077
Brisbane, Australia

Tel: +61 7 33751431
Fax: +61 7 33759094
sales@technofast.com
www.technofast.com